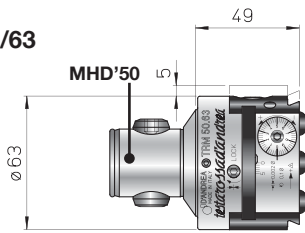


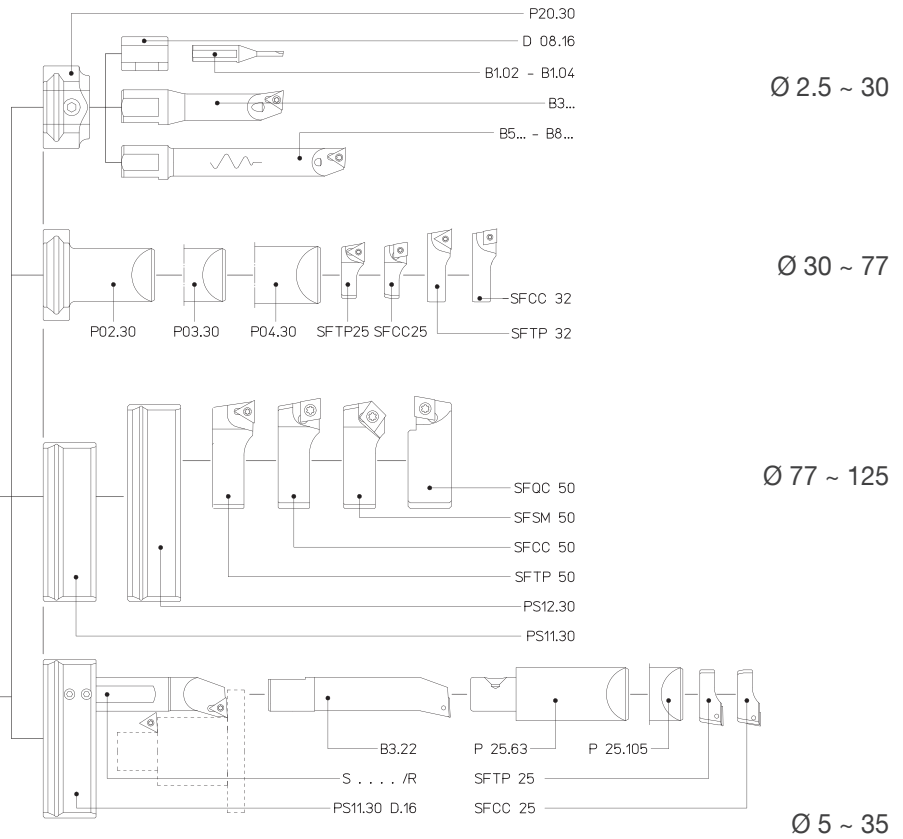
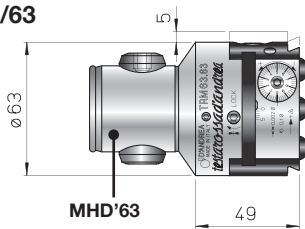


2 µm

TRM 50/63

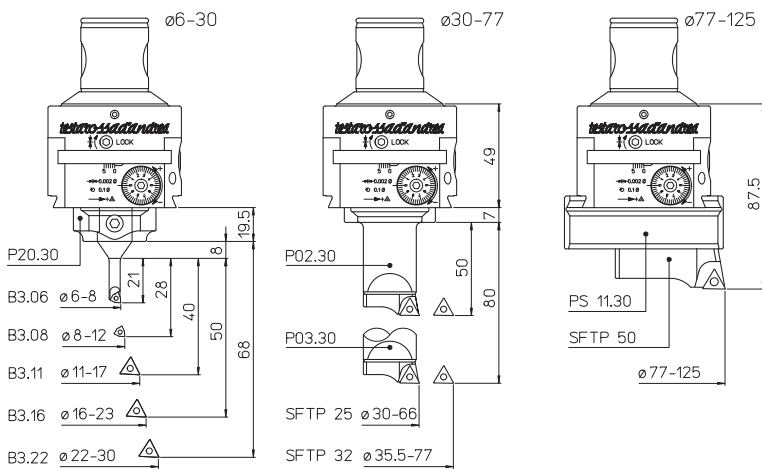


TRM 63/63



REF.	CODE	Kg.
TRM 50/63	455005000631	1.1
TRM 63/63	455006300631	1.5

KIT K01
Ø 6 ~ 125

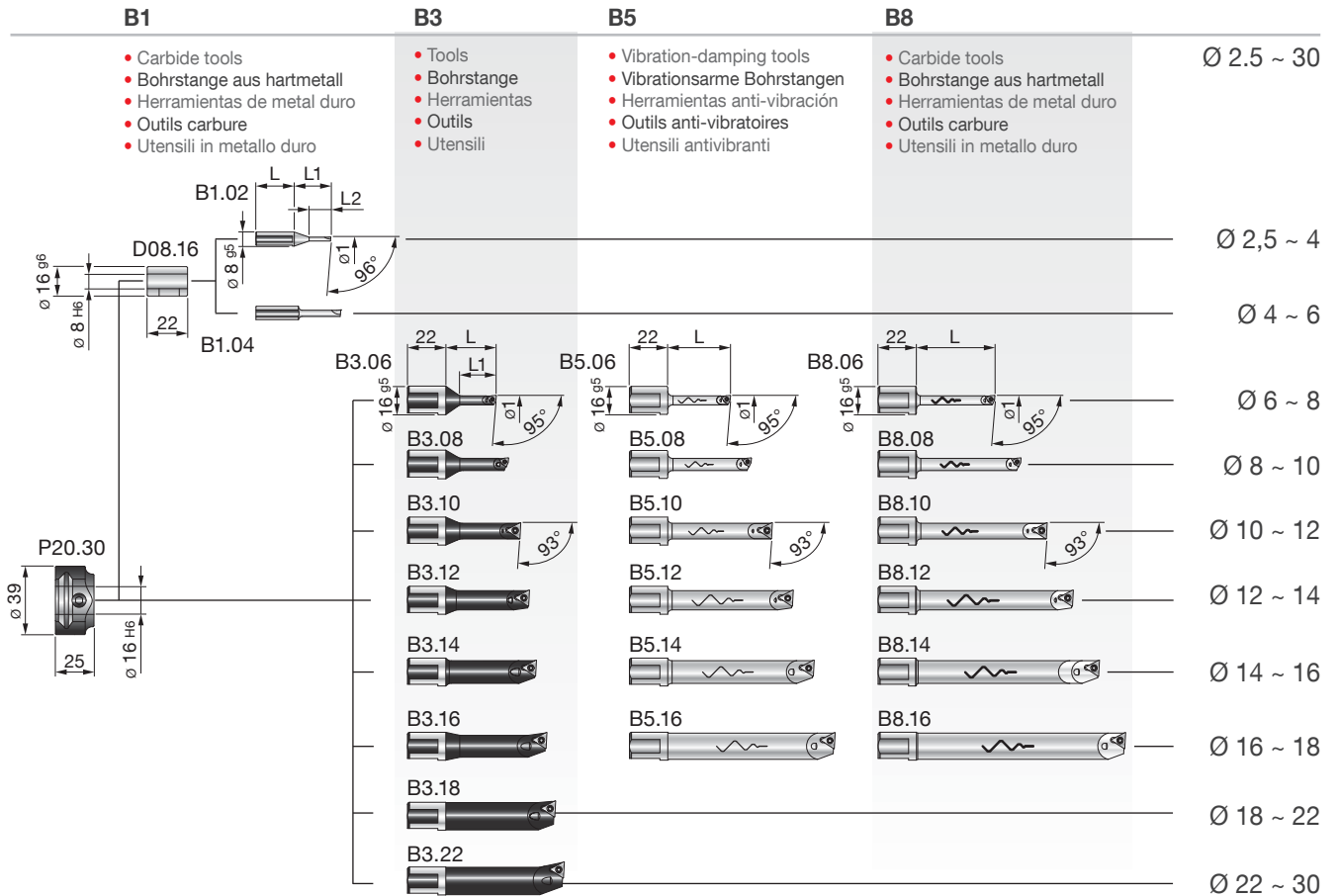


- 1 TRM../63
- 1 P20.30 1 B3.06 1 B3.22 5 TPGX 090202L DC100
- 1 PS11.30 1 B3.08 1 SFTP25 1 TPGX 110302L DC100
- 1 P02.30 1 B3.11 1 SFTP32 2 WCGT 020102L DC100
- 1 P03.30 1 B3.16 1 SFTP50

REF.	CODE	Ø
KIT K01 TRM 50/63	655005010632	6 ~ 125
KIT K01 TRM 63/63	655006310632	

119 120 116 241





REF.	CODE	Kg.
P20.30	431030160300	0.2

REF.	CODE	Kg.
D08.16	200560116082	0.02

REF.	CODE	Ø1	L	L1	L2	Kg.
B1.02	572010502001	2.5 ~ 4	22	21	12.5	0.02
B1.04	572010504001	4 ~ 6	24	24	-	

REF.	CODE	Ø1	L	L1	⚠	⚠	🔩	🔩	Kg.
B3.06	572010506001	6 ~ 8	29	21	WCGT 0201..	-	TS 21	TORX T06	0.035
B3.08	572010508001	8 ~ 10	36	28			TS 211		0.04
B3.10	572010510001	10 ~ 12	43	35	-	TPGX 0902..	CS 250 T	TORX T08	0.05
B3.11	572010511001	11 ~ 13	48	40					0.055
B3.12	572010512001	12 ~ 14	42	42					0.06
B3.14	572010514001	14 ~ 16	52	50					0.07
B3.16	572010516001	16 ~ 18	58	-	-	-	-	-	0.1
B3.18	572010518001	18 ~ 22	63	-	-	-	-	-	-
B3.22	572010522001	22 ~ 30	68	-	-	-	-	-	-

B5.06	572010506105	6 ~ 8	36	-	WCGT 0201..	-	TS 21	TORX T06	0.075
B5.08	572010508105	8 ~ 10	48				TS 211		0.09
B5.10	572010510105	10 ~ 12	60	-	TPGX 0902..	CS 250 T	TORX T08	0.1	
B5.12	572010512105	12 ~ 14	72					0.2	
B5.14	572010514105	14 ~ 16	84					0.3	
B5.16	572010516105	16 ~ 18	96					0.3	

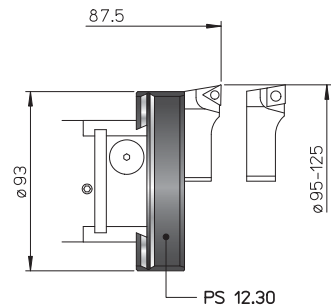
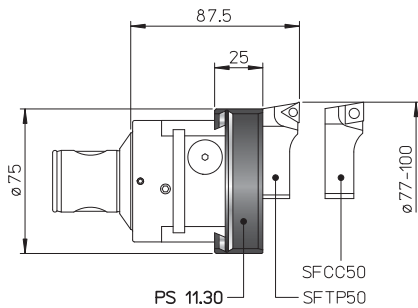
B8.06	572010506108	6 ~ 8	45	-	WCGT 0201..	-	TS 21	TORX T06	0.065
B8.08	572010508108	8 ~ 10	60				TS 211		0.08
B8.10	572010510108	10 ~ 12	75	-	TPGX 0902..	CS 250 T	TORX T08	0.1	
B8.12	572010512108	12 ~ 14	90					0.2	
B8.14	572010514108	14 ~ 16	105					0.3	
B8.16	572010516108	16 ~ 18	120					0.3	

TRM 50/63

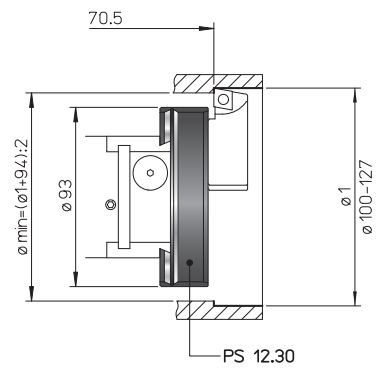
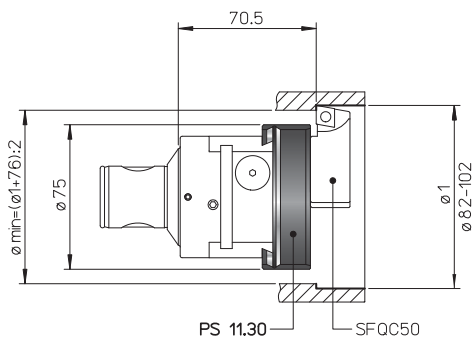
TRM 63/63 $\varnothing 77 \sim 127$

- TOOLHOLDERS FOR TESTAROSSA
- GRUNDHALTER FÜR TESTAROSSA
- PORTAHERRAMIENTAS PARA TESTAROSSA
- PORTE-OUTILS POUR TESTAROSSA
- PORTAUTENSILI PER TESTAROSSA

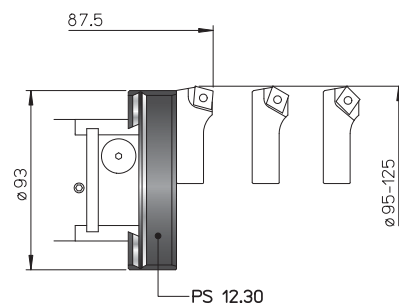
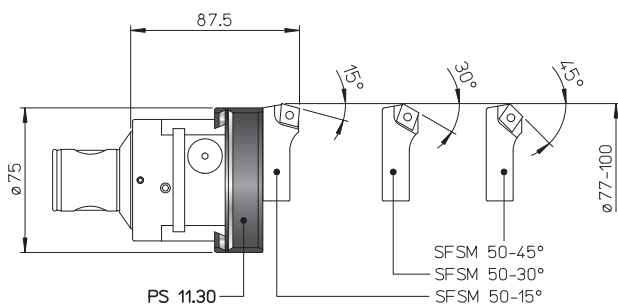
PS

 $\varnothing 77 \sim 125$ 

PS

 $\varnothing 82 \sim 127$ 

PS

 $\varnothing 77 \sim 125$ 

REF.	CODE	Kg.
PS 11.30	433030260750	0.4
PS 12.30	433030260950	0.5

119



125

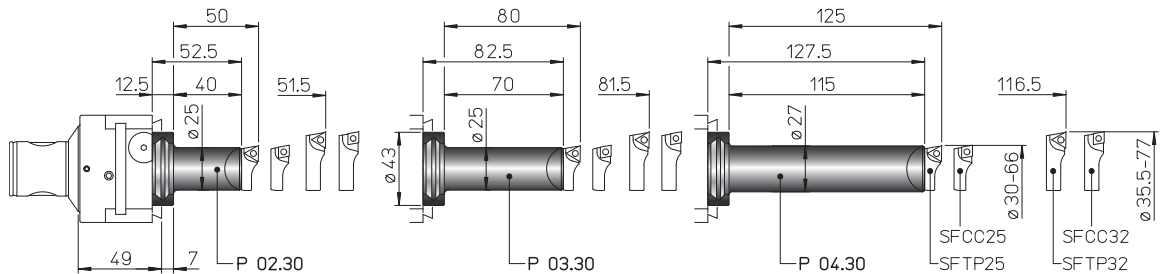


116



- TOOLHOLDERS FOR TESTAROSSA
- GRUNDHALTER FÜR TESTAROSSA
- PORTAHERRAMIENTAS PARA TESTAROSSA
- PORTE-OUTILS POUR TESTAROSSA
- PORTAUTENSILI PER TESTAROSSA

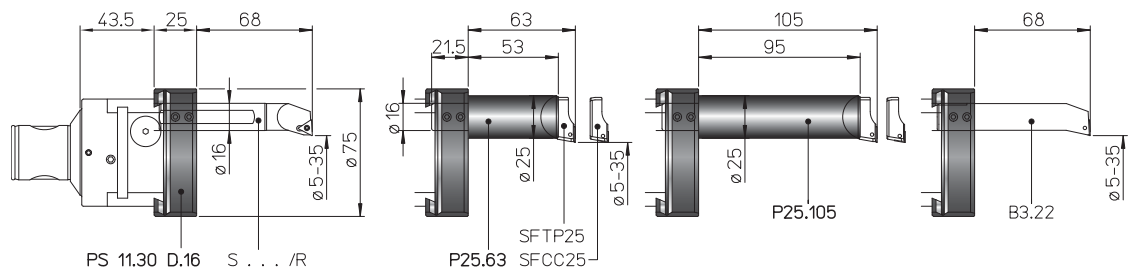
P
Ø 30 ~ 77



REF.	CODE	Kg.
P02.30	431030250400	0.3
P03.30	431030250700	0.4
P04.30	431030251150	0.7

- TESTAROSSA EXTERNAL TURNING
- TESTAROSSA AUSSENDREHEN
- TESTAROSSA TORNEADO EXTERIOR
- TESTAROSSA TOURNAGE EXTÉRIEUR
- TESTAROSSA TORNITURA ESTERNA

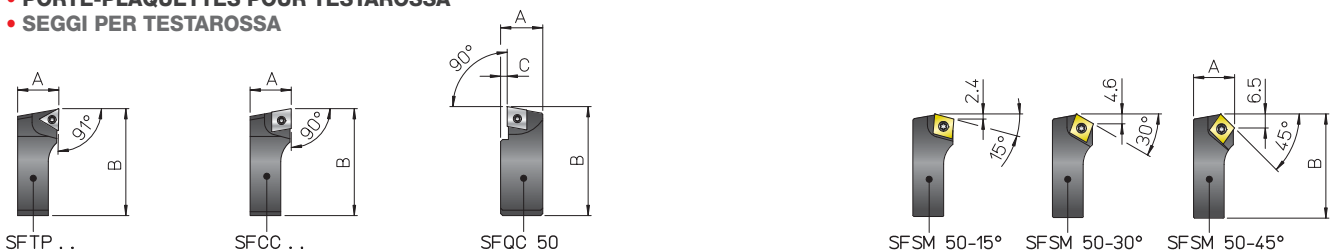
PS + P25
Ø 5 ~ 35



REF.	CODE	Kg.
PS 11.30 D.16	433030260755	0.4
P25.63 TR...	435116250631	0.5
P25.105 TR...	435116251051	0.8

- BIT-HOLDERS FOR TESTAROSSA
- PLATTENHALTER FÜR TESTAROSSA
- PORTA-PLAQUITAS PARA TESTAROSSA
- PORTE-PLAQUETTES POUR TESTAROSSA
- SEGGI PER TESTAROSSA

SF



REF.	CODE	A	B	C	△	⊖	⊖	⊖	Kg.
SFTP 25	470500525001	10	26.5	-	TPGX 0902..	-	CS 250T	TORX T08	0.01
SFTP 32	470500532001	11.5	34.5	-	-	-	-	-	0.02
SFTP 50	470500550001	19	52	-	TPGX 1103..	-	CS 300890T	-	0.08
SFCC 25	470500525002	10	26.5	-	-	CCGT 0602..	TS 25	TORX T08	0.01
SFCC 32	470500532002	11.5	34.5	-	-	-	-	-	0.02
SFCC 50	470500550002	19	52	-	-	CCGT 09T3..	TS 4	TORX T15	0.08
SFQC 50	470500550062	20.5	53	3	-	CCMT 09T3..	TS 4	TORXT15	0.1
SFSM 50-15°	470500550011	19	50.5	-	-	CCMT 09T3..	TS 4	TORXT15	0.07
SFSM 50-30°	470500550013								
SFSM 50-45°	470500550015								