

Micro-Turn-Chucks

ALBRECHT

Präzisions Spannfutter



25.02.2020

1

Micro-ER-Chuck

Features, Functions, Benefits:

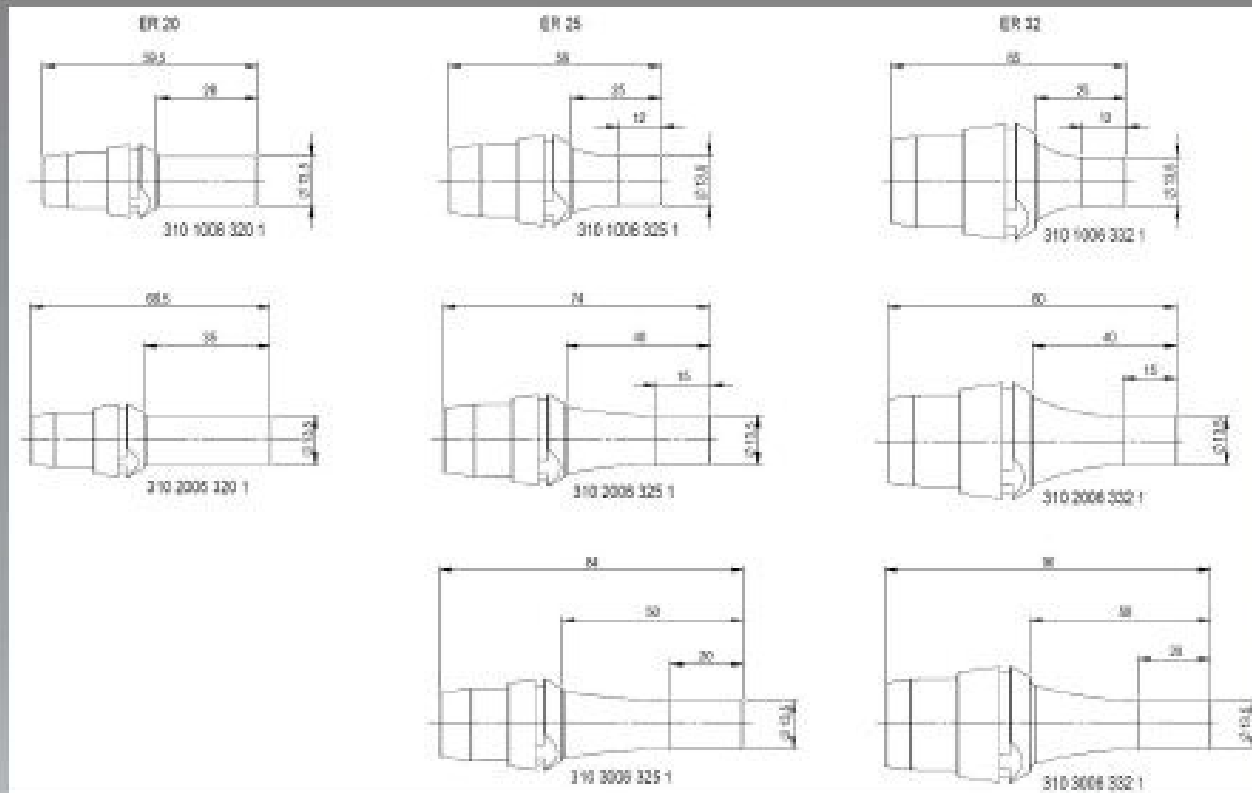
- Increases the access for Micro-tools
- Universal use, fits in all ER-chucks and nuts
- ER20, 25 and 32
- Range 1,0 – 6,0 mm
- Same collets like extensions (AMC)
- Optional Internal- or Peripheral-Coolant supply
- Better dampening in comparison to Shrinking Chucks – curve design
- Slim Shape D1=13,5 mm
- Perfect Runout and Clamping like Shrinking Chucks
- Balanced by design



Overview Micro-ER:

ALBRECHT

Präzisions Spannfutter



ER20

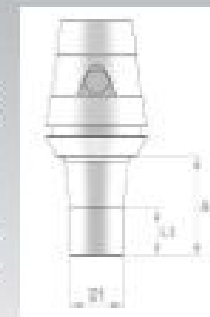
Part.No.	A	Form	L1	D1	kg
310 1006 320 1	28	A/AD	28	13.5	0.06
311 2006 320 1	35	A/AD	35	13.5	0.07

ER25

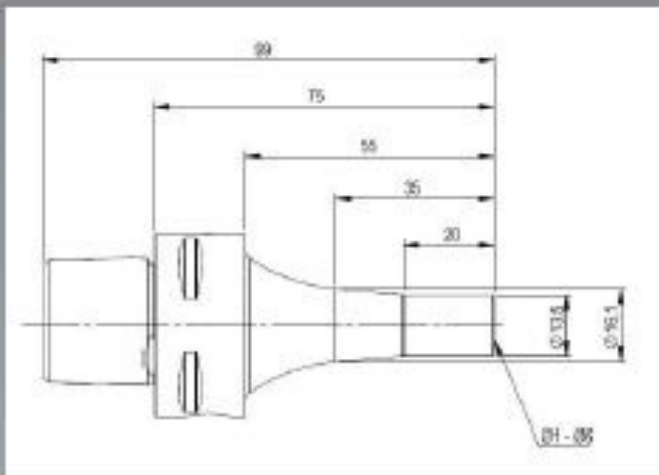
310 1006 325 1	25	A/AD	12	13.5	0.09
310 2006 325 1	40	A/AD	15	13.5	0.11
310 3006 325 1	50	A/AD	20	13.5	0.12

ER32

310 1006 332 1	25	A/AD	12	13.5	0.21
310 2006 332 1	40	A/AD	15	13.5	0.21
310 3006 332 1	50	A/AD	20	13.5	0.21



Overview Micro Polygon/HSK for driven tools:



HSK50 Form A DIN 69893		1 - 6 mm	
Part.No.	A	D1	kg
310 1006 650 1	85	13,5	0,5
310 2006 650 1	120	13,5	0,7
HSK63 Form A			
310 1006 663 1	90	13,5	0,8
310 2006 663 1	120	13,5	1,0
HSK40 Form E			
310 10E6 640 1	75	13,5	0,3
HSK50 Form E			
310 10E6 650 1	85	13,5	0,5
310 20E6 650 1	120	13,5	0,7
PSC40 ISO 26623-1		1 - 6 mm	
310 1006 9C4 1	75	13,5	0,3
PSC60			
310 1006 9C6 1	90	13,5	1,0
310 2006 9C6 1	120	13,5	1,1

ALBRECHT

Präzisions Spannfutter

Polygon PSC40:

- common in combination with VDI40
- direct access, no additional adaption



Market view for Micro-ER

ALBRECHT

Präzisions Spannfutter

Real Comparison Measurement ER-Collet vs. Albrecht Micro-ER

ER-Collet



Albrecht Micro-ER



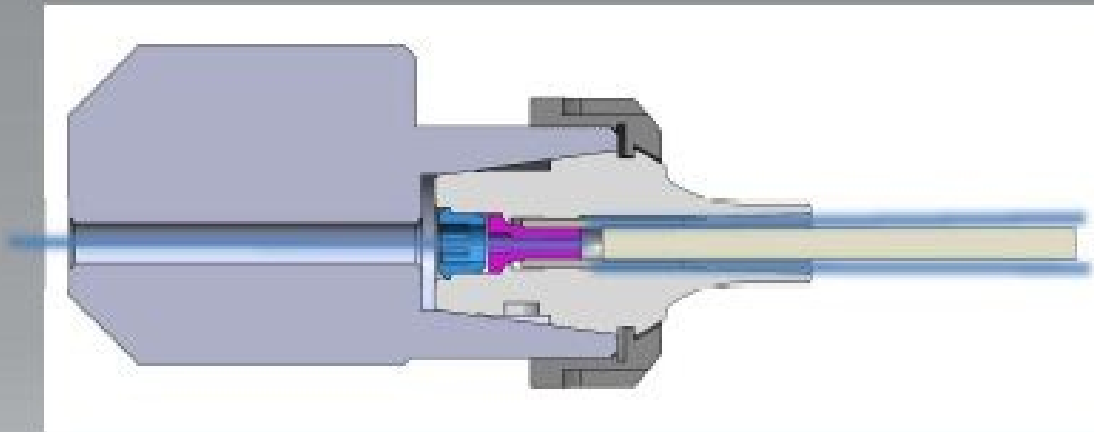
Micro-ER-Chuck

ALBRECHT

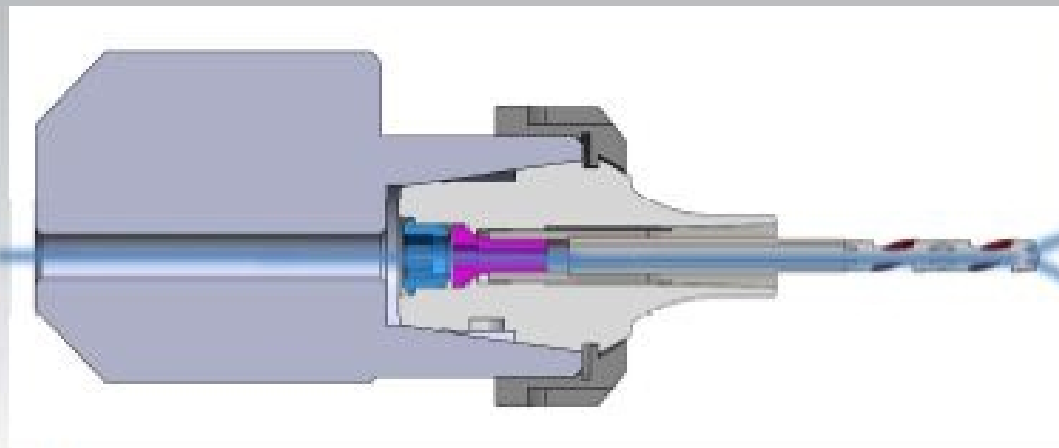
Präzisions Spannfutter

Cooling benefits:

- 1) Micro-ER cooling with a peripheral collet



- 2) Micro-ER cooling with a sealed collet



25.02.2020

